



Publications for Capstone Turbine, Global Container Dry Kiln and Tech by Global Energy

Global Energy LLC

[TEL] 608-238-6001

[Email] greg@globalmicroturbine.com

<https://globalmicroturbine.com/publications.html>

Capstone Turbine and microturbine publications, dry kiln publications, and technology publications by Global Energy.



This webpage QR code

PDF Version of the webpage (maximum 10 pages)

C65

Publications for the Capstone Turbine C65.



C65 Maintenance

Publications for the Capstone Turbine C65 maintenance.

C65 Maintenance

Publications for the Capstone Turbine C65 maintenance.





Copyright 3/4/2026 Global Energy LLC

C200

Publications for the Capstone Turbine C200 microturbine.

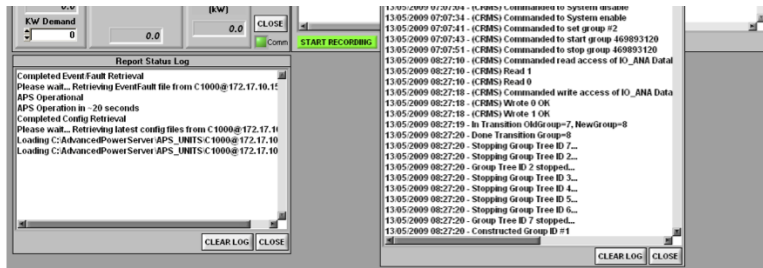


CRMS-APS/C1000 Series Controller Software User Edition User's Manual

Child Type#	Override Start	PwrIn (Watts)	Override Power	PwrOut (Watts)	Strcmd	MP Enable	Utility Status	Comm
G1		0		0	OFF	DISABLE	GC	
G2		0		0	OFF	DISABLE	GC	
T100 C1000		0		0	OFF	DISABLE	GC	
G3		0		0	OFF	DISABLE	GC	
G4		0		0	OFF	DISABLE	GC	
G5		0		0	OFF	DISABLE	GC	
G6		0		0	OFF	DISABLE	GC	

Event/Fault Log

- 13:05:2009 07:26:06 - (CRMS) Commanded clear event fault log
- 13:05:2009 07:26:44 - (CRMS) Commanded to start group 40883120
- 13:05:2009 07:27:26 - (CRMS) Commanded to stop group 40883120



Copyright 3/4/2026 Global Energy LLC

C200 Maintenance

Publications for the Capstone Turbine C200 microturbine maintenance. The C200 is the integral power module for the C600, C800, and C1000. This is the standard, next to the C65.





Copyright 3/4/2026 Global Energy LLC

C600

Publications for the Capstone Turbine C600 microturbine, which is comprised of 3 x C200 modules.





Copyright 3/4/2026 Global Energy LLC

C800

Publications for the Capstone Turbine C800 microturbine, which is comprised of 4 x C200 modules.





Copyright 3/4/2026 Global Energy LLC

C1000

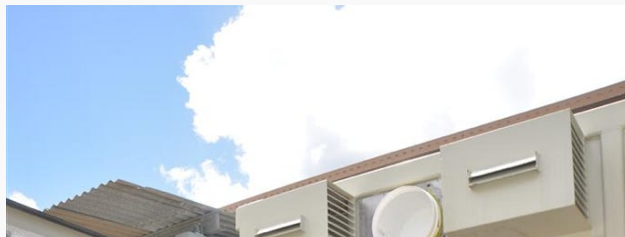
Publications for the Capstone Turbine C1000 microturbine, which is comprised of 5 x C200 modules.



Copyright 3/4/2026 Global Energy LLC

C1000 Maintenance

Publications for the Capstone Turbine C1000 microturbine maintenance.

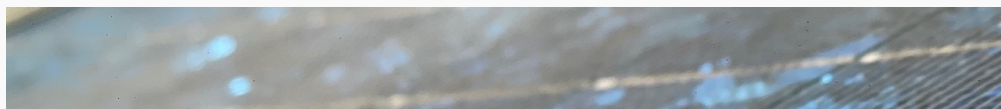




Copyright 3/4/2026 Global Energy LLC

Microturbine

Publications for microturbines in the distributed energy industry.



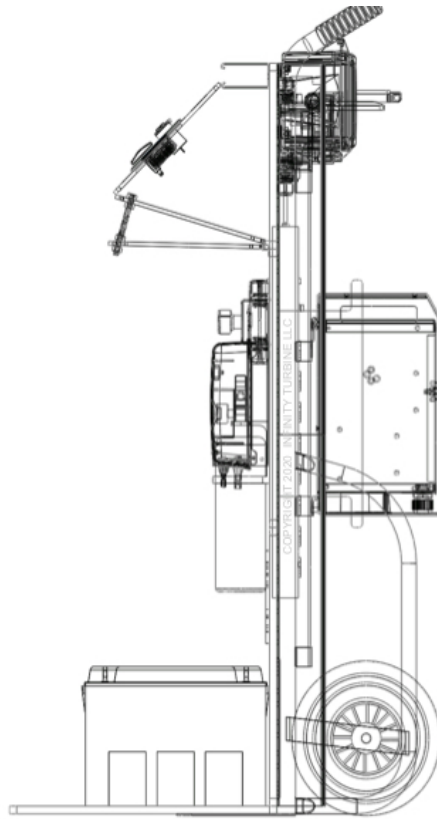
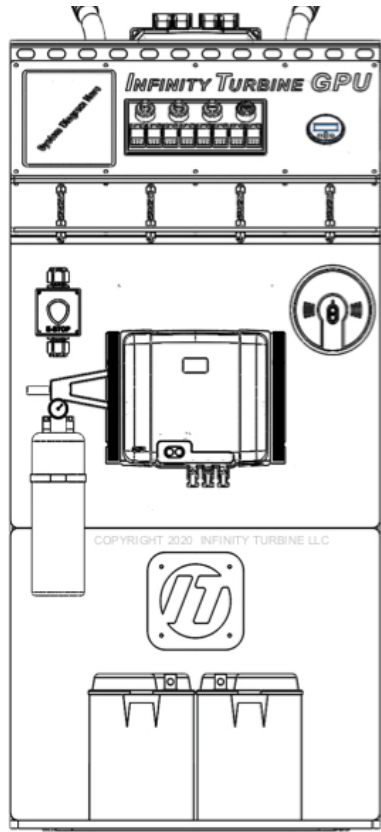


Copyright 3/4/2026 Global Energy LLC

Power Industry

Publications from the distributed energy industry.





Copyright 3/4/2026 Global Energy LLC